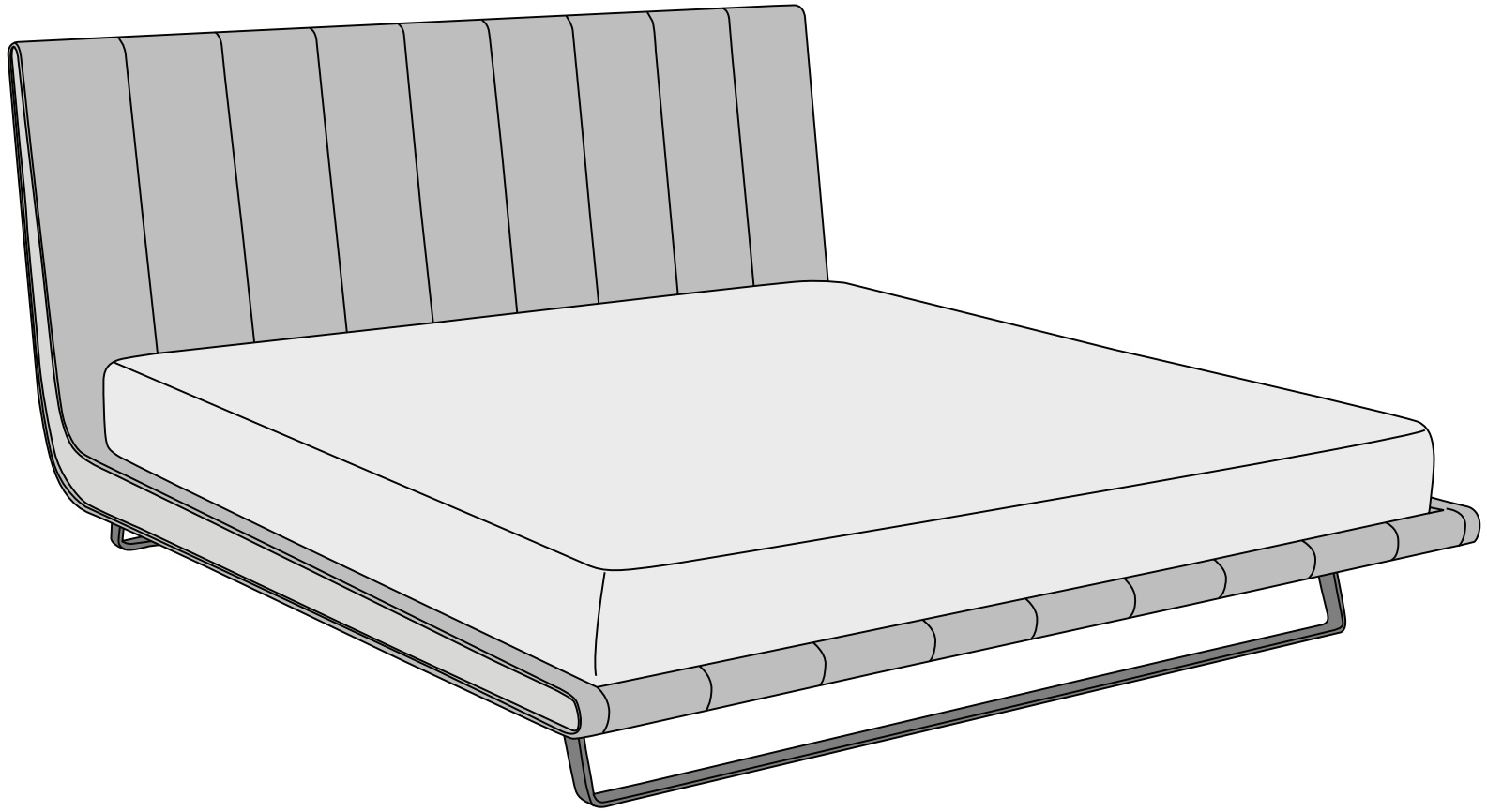


9016Q Queen

9016CK California King

9016EK Eastern King



Hardware



Button Head Screw



Washer



Flathead Allen Screw



Allen Wrench



5/16 Allen Wrench

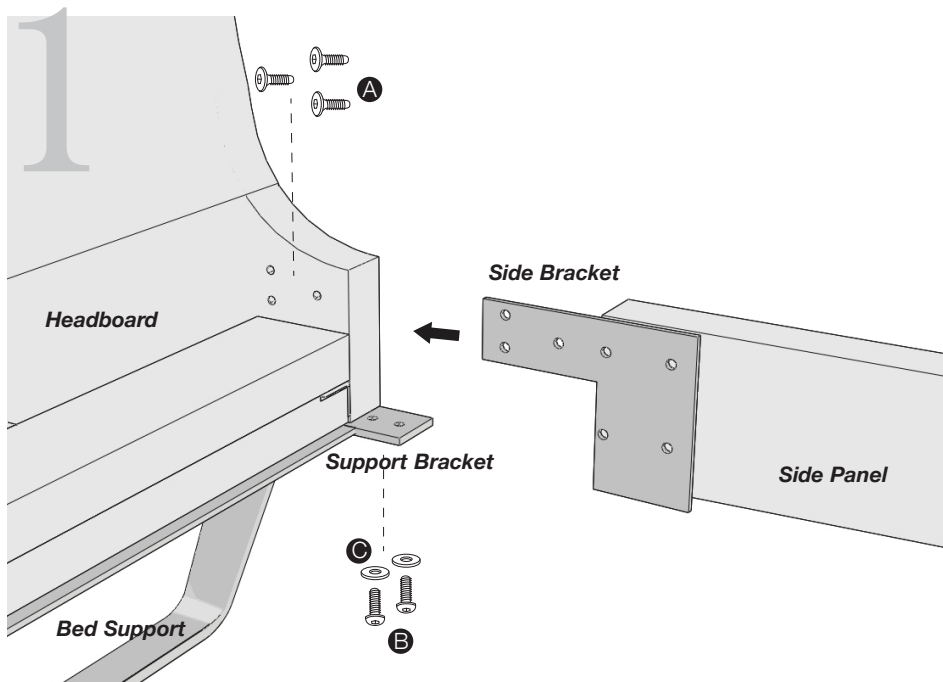
x12

x12

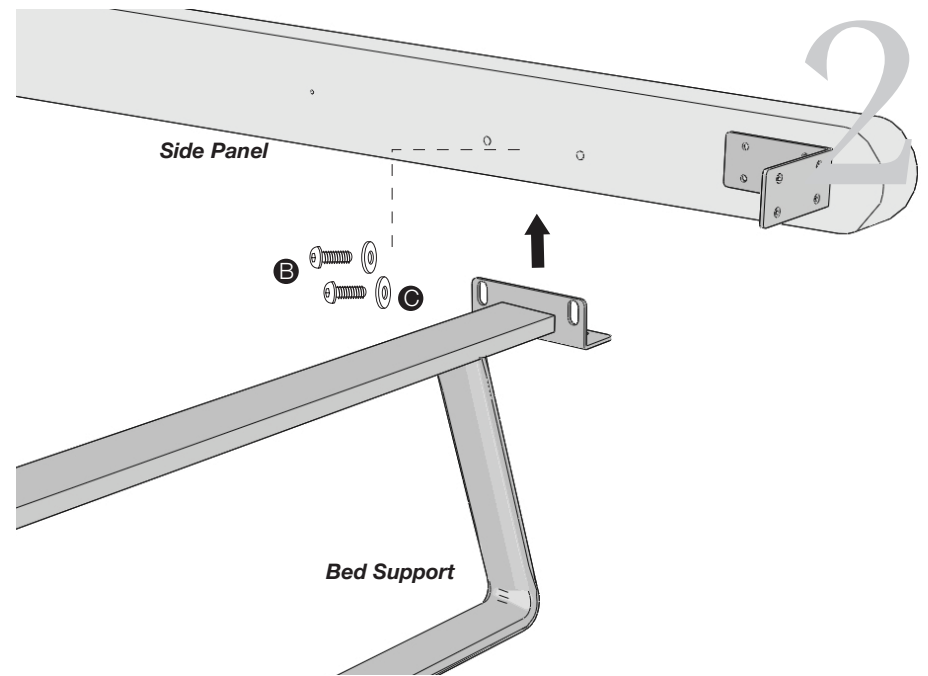
x14

x1

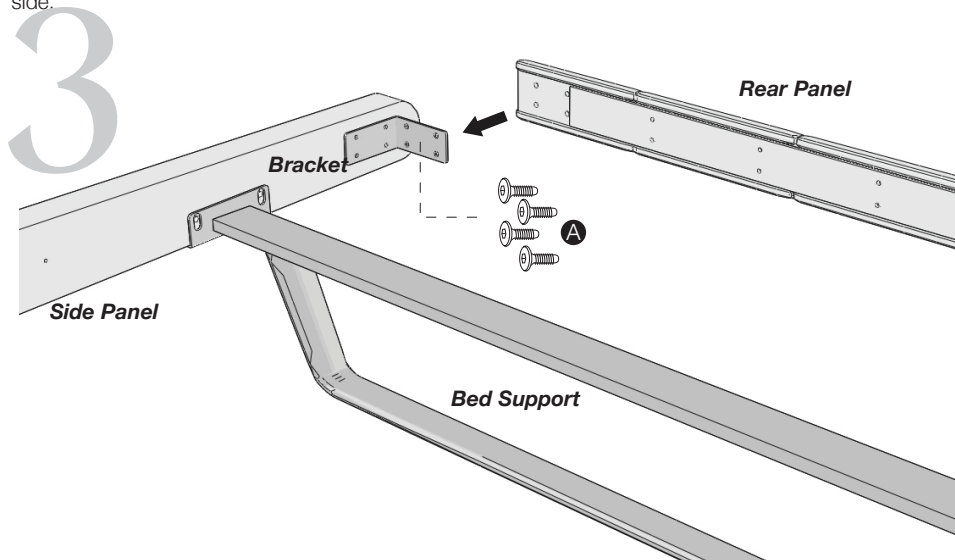
x1



Secure Side Panel on Headboard with Flathead Allen Screws(A) and Button Head Screws(B)/Washers(C). IMPORTANT: Tighten Side Bracket to Headboard first, then tighten Support Bracket. Repeat on opposite side.



Slide Bed Support under both Side Panels and secure with Button Head Screws(B)/Washers(C). Repeat on opposite side. NOTE: Do not tighten until fully assembled.



Align Rear Panel onto the Side Panel Bracket. Secure with Flathead Allen Screws(A). Repeat on opposite side. Tighten all screws to complete bed assembly.