
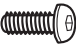

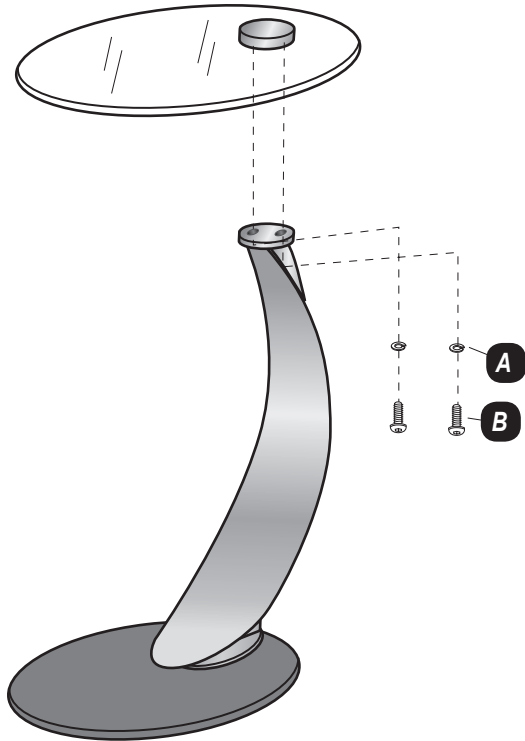


MODEL **SCOOP**
250 Accent Table/ 2042 Laptop Cart

ASSEMBLY INSTRUCTIONS

PART ID	DESCRIPTION	QUANTITY
A	 Lock Washer	2
B	 Buttonhead Screw	2
C	 Allen Wrench	1



STEP ONE

Secure stem of table to glass table top using **Lock Washers (A)** and **Buttonhead Screws (B)** with **Allen Wrench (C)**, into neck of body unit.

NOTE:

MAKE SURE THE GLASS TOP IS STRAIGHT BEFORE TIGHTENING THE SCREWS ON THE BOTTOM.