

Hardware

 Threaded Screw
x1

 Washer
x2

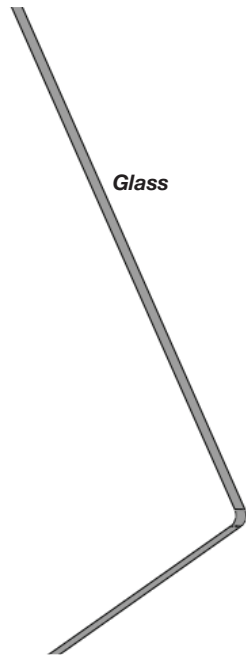
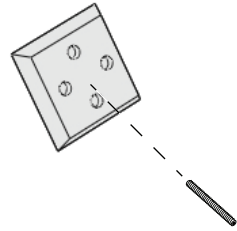
 Flathead Allen Screw
x2

 Allen Wrench
x1

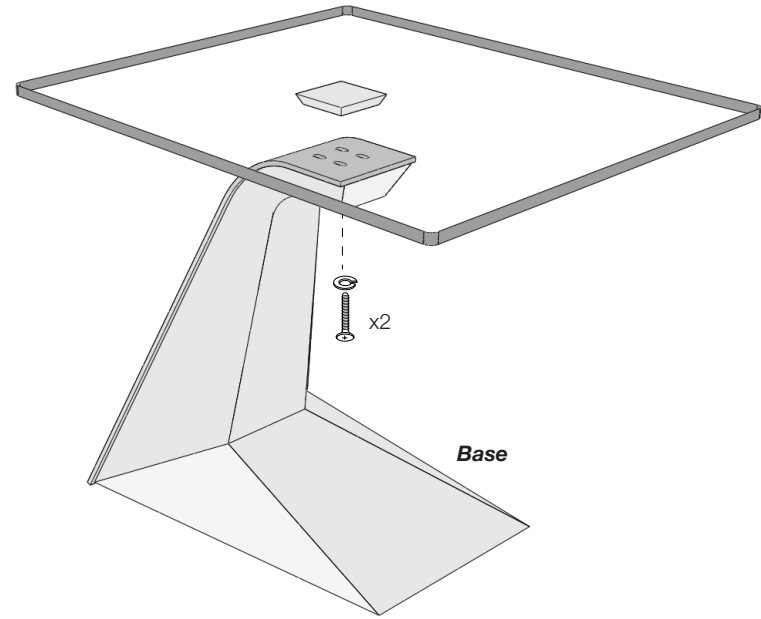
1



Place threaded screw on glass plate.



2



Using the threaded screws as guides, carefully place glass on base. Remove threaded screws once glass is aligned with base.



HAND TIGHTEN - DO NOT USE POWER TOOLS