


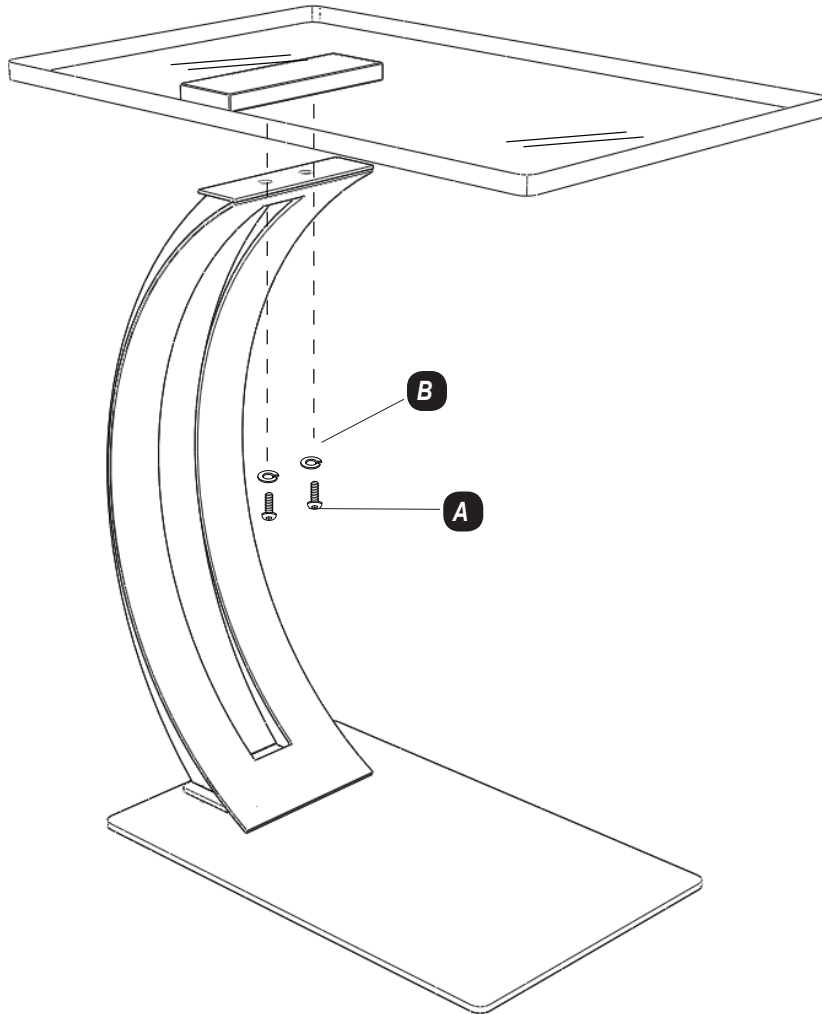


ENCORE
2000 Accent Table

ASSEMBLY INSTRUCTIONS

PART ID	DESCRIPTION	QUANTITY
A	 Zinc Buttonhead Allen Bolt	2
B	 Lock Washer	2
C	 Allen Wrench	1



Carefully place Glass Top onto Table Base and align mounting holes. Fasten Glass Top to Table frame with **Buttonhead Allen Bolts (A)** & **Lock Washers (B)** using **Allen Wrench (C)**. Tighten all bolts to complete assembly.